

FICHE D'HOMOLOGATION HOMOLOGATION FORM



COMMISSION INTERNATIONALE
DE KARTING – FIA



CARBURATEUR / CARBURETTOR

Constructeur	<i>Manufacturer</i>	BOLEX CARBURETTOR, BOLLHALDER
Marque	<i>Make</i>	BOLEX
Modèle	<i>Model</i>	BJ3
Catégorie	<i>Category</i>	KF3
Durée de l'homologation	<i>Validity of the homologation</i>	9 ans / 9 years
Nombre de pages	<i>Number of pages</i>	2

La présente Fiche d'Homologation reproduit descriptions, illustrations et dimensions du carburateur au moment de l'homologation CIK-FIA. Le Constructeur a la possibilité de les modifier seulement dans les limites fixées par le règlement CIK-FIA en vigueur.

This Homologation Form reproduces descriptions, illustrations and dimensions of the carburettor at the moment of the CIK-FIA homologation. The Manufacturer may modify them, but only within the limits fixed by the CIK-FIA regulations in force.



PHOTO CÔTÉ ASPIRATION
PHOTO OF INLET SIDE

PHOTO CÔTÉ RÉGLAGE
PHOTO OF ADJUSTING SIDE

Signature et tampon de l'ASN
Signature and stamp of the ASN

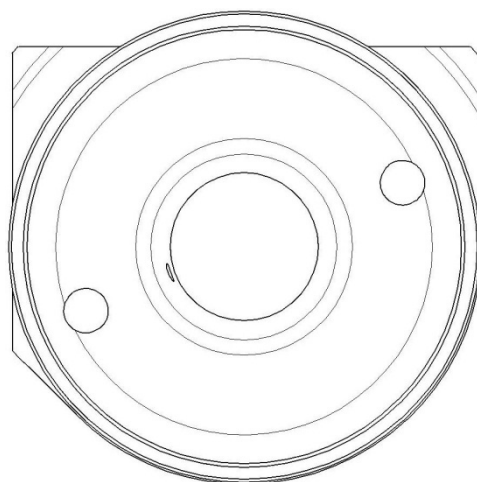
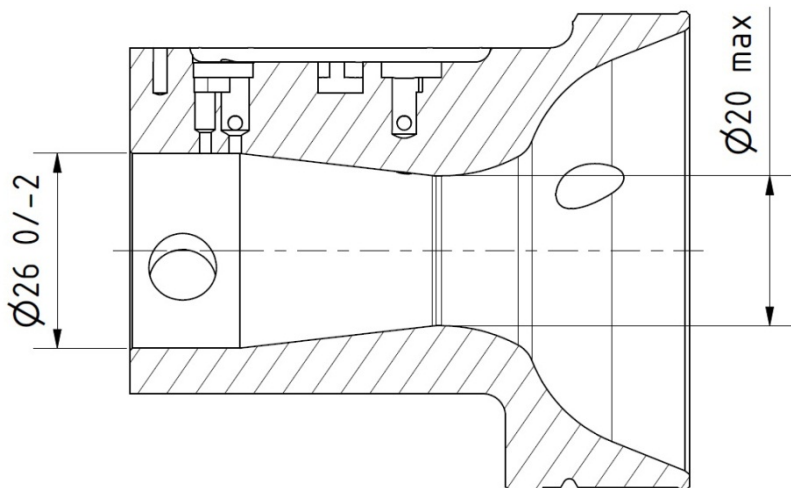
Signature et tampon de la CIK-FIA
Signature and stamp of the CIK-FIA



VUE EN SECTION
CONDUIT D'ASPIRATION
INLET PORT SECTION VIEW

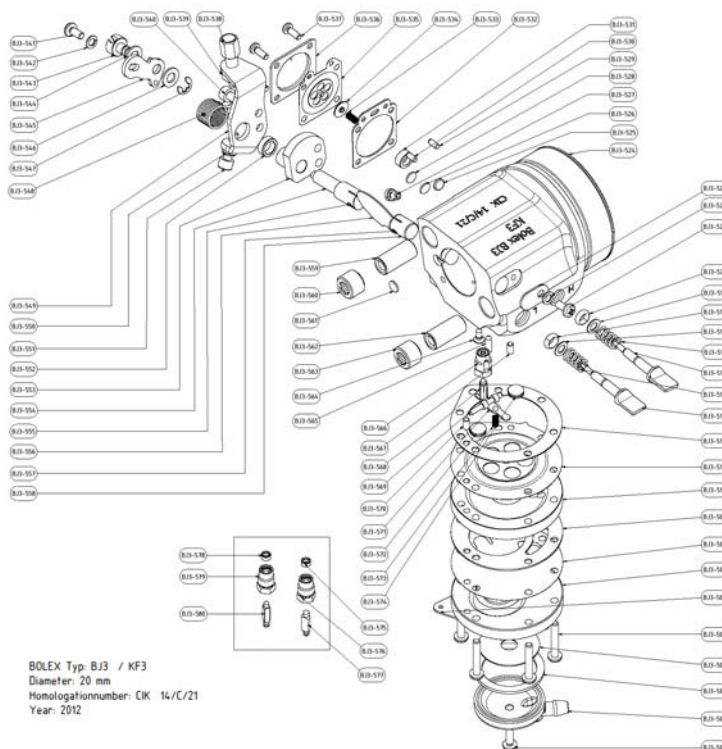
VUE DE FACE
CÔTÉ ASPIRATION
INLET SIDE FRONT VIEW

Echelle 1:1 / 1:1 Scale



DESCRIPTION DU CARBURATEUR ET
ESQUISSE DES PIÈCES

CARBURETTOR DESCRIPTION AND
SKETCH OF PARTS



010-501	Fuel Strainer Cover Screw
010-502	Fuel Strainer Cover
010-503	Fuel Strainer Gasket
010-504	Fuel Strainer Screws
010-505	Fuel Pump Screw, 4 Pcs.
010-506	Spring Wash
010-507	Fuel Pump Body
010-508	Fuel Pump Diaphragm
010-509	Fuel Pump Gasket
010-510	Diaphragm Cover, Incl. 2 Pcs Of Locking Pins
010-511	Mixing Diaphragm
010-512	Mixing Diaphragm Gasket
010-513	Low Speed Mixture Screw 1
010-514	High Speed Mixture Screw 1
010-515	Low Speed Mixture Screw Spring
010-516	High Speed Mixture Screw Spring
010-517	Low Speed Mixture Screw Washer
010-518	High Speed Mixture Screw Washer
010-519	Low Speed Mixture Screw Packing
010-520	High Speed Mixture Screw Packing
010-521	Retaining Screw
010-522	Lockwasher
010-523	Weather Shaft Clip
010-524	Lockwasher Bolt Locknuts
010-525	Strainer Screens
010-526	Cap
010-527	Regulating Screw With Bore Diameter Between 08 to 2 mm
010-528	Cap
010-529	Locking Bolt
010-530	Locking Bolt
010-531	Locknut
010-532	Locknut, Mixing Diaphragm
010-533	Spring
010-534	Spring Wash
010-535	Mixing Diaphragm Assembly
010-536	Mixing Cover
010-537	Cover Screw, 4 Pcs.
010-538	Label Adjusting Screw
010-539	Nut
010-540	Screw, 2 Pcs.
010-541	Screw
010-542	Lockwasher
010-543	Collar Holder
010-544	Washer
010-545	Shaft Liner
010-546	Washer
010-547	Collar Holder Clip
010-548	Shaft Spring
010-549	Bracket
010-550	Nut
010-551	Shaft Liner Position Adjusting Screw
010-552	Washer
010-553	Washer Plate
010-554	Shaft Lock
010-555	Pin
010-556	Insertion
010-557	Pin
010-558	Shaft Lock
010-559	Fluorin Screw Nut
010-560	Fastening Nut
010-561	Cap
010-562	Fluorin Screw Nut
010-563	Fastening Nut
010-564	Mid Control Lever Fulcrum Screw
010-565	Thread Bolt
010-566	Mid Needle Seat
010-567	Centering Pin
010-568	Mid Needle With Needle Tip
010-569	Mid Control Lever Fulcrum Pin
010-570	Centering Pin
010-571	Mid Control Lever
010-572	Cover
010-573	Mid Needle Spring
010-574	Cover
010-575	Mid Needle Gasket - Optional
010-576	Mid Needle O-Ring - Optional
010-577	Mid Needle O-Ring - Optional
010-578	Mid Needle Gasket - Optional
010-579	Mid Needle O-Ring - Optional
010-580	Mid Needle O-Ring - Optional

BOLEX Typ B33 / KF3
Diameter: 20 mm
Homologationnumber: CIK 14/C/21
Year: 2012