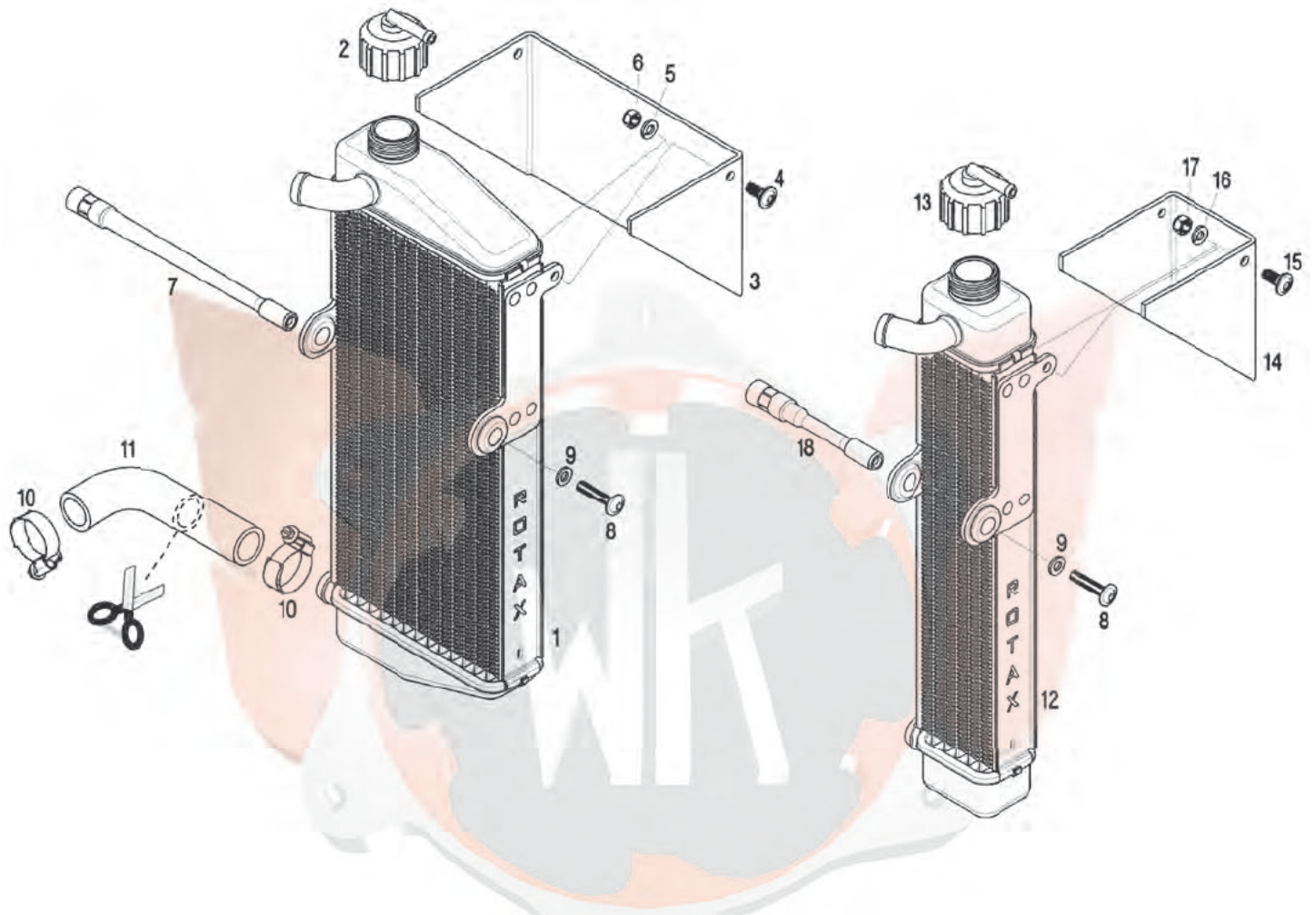


MOTOR ROTAX 125 MAX 2013

KÜHLER



1-6	RX295928	Kühler MAX komplett ab 2011	RADIATOR WITH CAP ASSY. MAX as of 2011	Radiateur avec bouchon MAX àpd. 2011
2	RX222750	Kühlerdeckel 1,0 bar	RADIATOR CAP WITH GASKET 1,0 BAR	Bouchon avec joint 1,0 bar
3	RX201220	Kühlerabdeckung MAX ab 2011	WINDSHIELD MAX as of 2011	Volet d'aération MAX àpd. 2011
4	RX440751	Linsenkopfschraube M6x16mm	ALLEN SCREW W. ROUNDED FLANGE HEAD M6x16mm	Vis BHC M6x16mm
5	RX244211	U-Scheibe M6	WASHER M6	Rondelle M6
6	RX842040	Mutter M6 selbstsichernd	LOCK NUT M6	Écrou nylstop M6
7	RX651690	Haltestange Kühler MAX ab 2011	RADIATOR BRACKET MAX as of 2011	Support fixation de radiateur àpd. MAX 2011
8	RX440761	Linsenkopfschraube M6x20mm	ALLEN SCREW W. ROUNDED FLANGE HEAD M6x20mm	Vis BHC M6x20mm
9	RX827307	Scheibe 6,2x18x0,5mm	WASHER 6,2x18x0,5mm	Rondelle 6,2x18x0,5mm
10	RX951870	Schlauchschelle 16-25mm	CLAMP 16-25mm	Collier serflex 16-25mm
11	RX222746	Kühlwasserformschlauch	COOLING-WATER HOSE	Durite d'eau 18/100/45
12-17	RX295923	Kühler MicroMAX komplett ab 2011	RADIATOR WITH CAP ASSY. MICRO MAX as of 2011	Radiateur avec bouchon MICRO MAX àpd. 2011
13	RX222750	Kühlerdeckel 1,0 bar	RADIATOR CAP WITH GASKET 1,0 BAR	Bouchon avec joint 1,0 bar
14	RX201222	Kühlerabdeckung MicroMAX ab 2011	WINDSHIELD MICRO MAX as of 2011	Volet d'aération MICRO MAX àpd. 2011
15	RX440751	Linsenkopfschraube M6x16mm	ALLEN SCREW W. ROUNDED FLANGE HEAD M6x16mm	Vis BHC M6x16mm
16	RX244211	U-Scheibe M6	WASHER M6	Rondelle M6
17	RX842040	Mutter M6 selbstsichernd	LOCK NUT M6	Écrou nylstop M6
18	RX651695	Haltestange Kühler MicroMAX ab 2011	RADIATOR BRACKET MICRO MAX as of 2011	Support fixation de radiateur MICRO MAX àpd. 2011