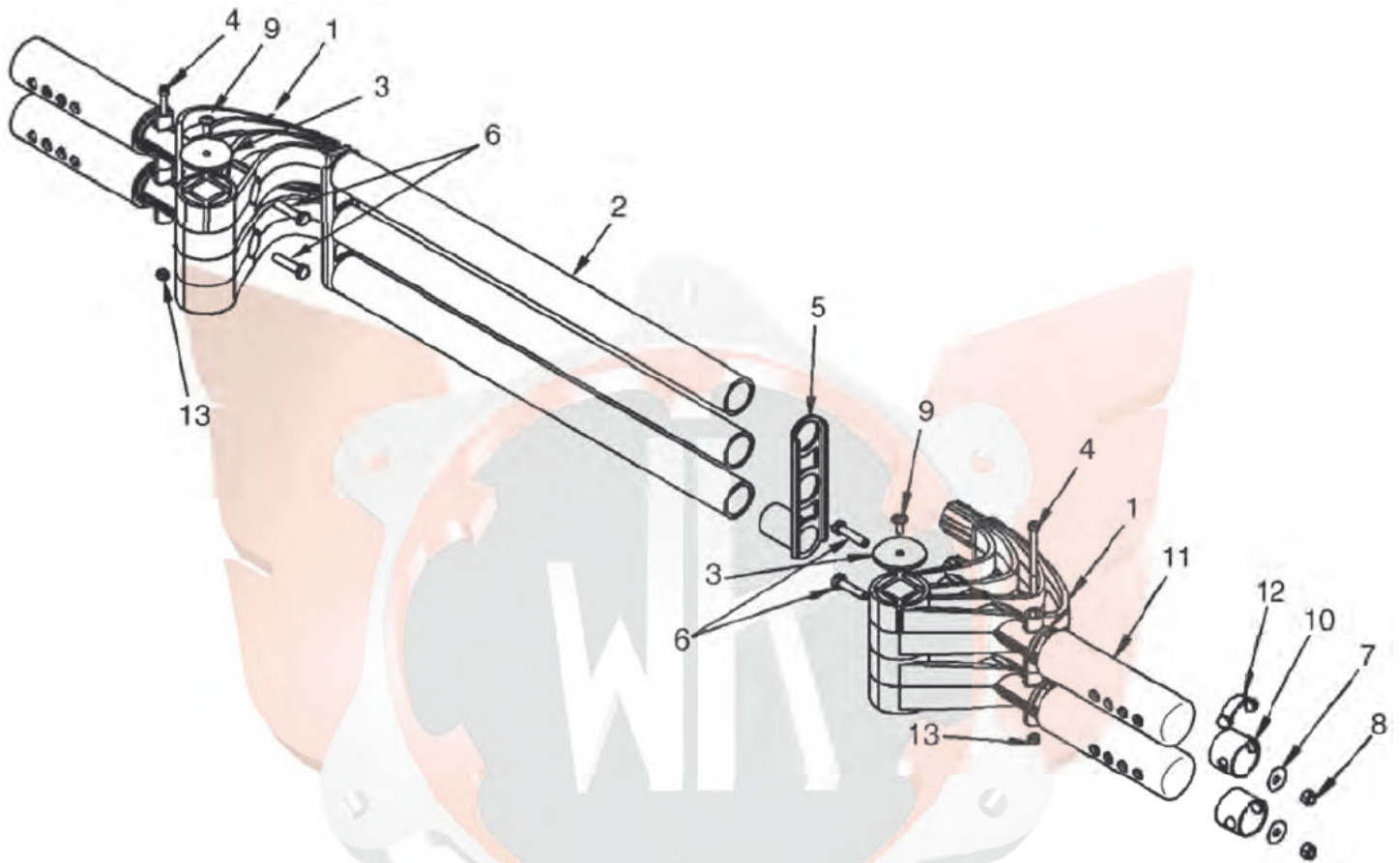


# MOTOR ROTAX DD2 - 2013

## HECKAUFFFAHRSCHUTZ - SICHERHEITSSYSTEM



1	RX281572	RTPS Auffahrschutz ROTAX komplett ab 2006	REAR TIRE PROTECTION SYSTEM ASSY. as of 2006	Système pare-choc arrière RTPS complet
1	RX660600	Stoßfänger	REAR BUMPER	Élément général de pare-choc AR
2	RX570060	Stoßfängerrohr 40x3,7x550mm	REAR FENDER TUBE 40x3,7x550mm	Tube de pare-choc 40x3,7x550mm
3	RX570120	Distanzscheibe 52x4mm RTPS	DISTANCE WASHER 52x4mm	Rondelle plate large 52x4mm RTPS
3	RX570122	Distanzscheibe 52x7mm RTPS	DISTANCE WASHER 52x7mm	Rondelle plate large 52x7mm RTPS
4	RX241501	Inbusschraube M6x80mm RTPS	ALLEN SCREW M6x80mm	Vis BTR M6x80mm
5	RX251760	Haltetasche RTPS	MOUNTING LINK RTPS	Support tubes de pare-choc
6	RX241341	SK-Schraube M8x35mm RTPS	HEX. SCREW M8x35mm	Vis TH M8x35mm
7	RX627960	Scheibe 8x25x1,8mm RTPS	WASHER 8x25x1,8mm RTPS	Rondelle 8x25x1,8mm RTPS
8	RX942030	Mutter M8 selbstsichernd	LOCK NUT M8	Écrou nylstop M8
9	RX440751	Linsenkopfschraube M6x16mm	ALLEN SCREW W. ROUNDED FLANGE HEAD M6x16mm	Vis BHC M6x16mm
10	RX233130	Gleithülse RTPS	ANTIFRICTION BUSHING	Douille RTPS
11	RX570050	Anlaufrohr 50x4,6x170mm	TYRE PROTECTION ROLLER 50x4,6x170mm	Tube protection de pneu 50x4,6x170mm
11	RX570055	Anlaufrohr 50x4,6x178mm	TYRE PROTECTION ROLLER 50x4,6x178mm	Tube protection de pneu 50x4,6x178mm
12	RX570080	Federelement RTPS	SPRING ELEMENT	Arrêt de douille RTPS
13	RX842040	Mutter M6 selbstsichernd	LOCK NUT M6	Écrou nylstop M6